

# Multi-ID Scanner

## Applications

*Passport Reading  
Identification  
Security  
Visitor Management*

## Features

- ◆ Imaging double face (600dpi Full color, IR, UV)
  - ID-1 (Identity Card)
  - ID-2 (Passport Card, Visa)
  - ID-3 (Passport)
- ◆ Communicating RFID supported BAC process  
Future support of SAC process
- ◆ Front camera to read mobile phone barcode  
(QR code) image
- ◆ Extension USB port x 2
- ◆ Case Color: Black or Beige

## Recognition

- ◆ OCR defined by ISO/IEC 17501 (ICAO Doc. 9303) Standards

## Interface

- ◆ USB 2.0 High Speed
- ◆ Thin client support via extension Ethernet adaptor

## Extended Functions

- ◆ Add-on NFC reader available (EMV Approved)
- ◆ Extension USB port to support webcam

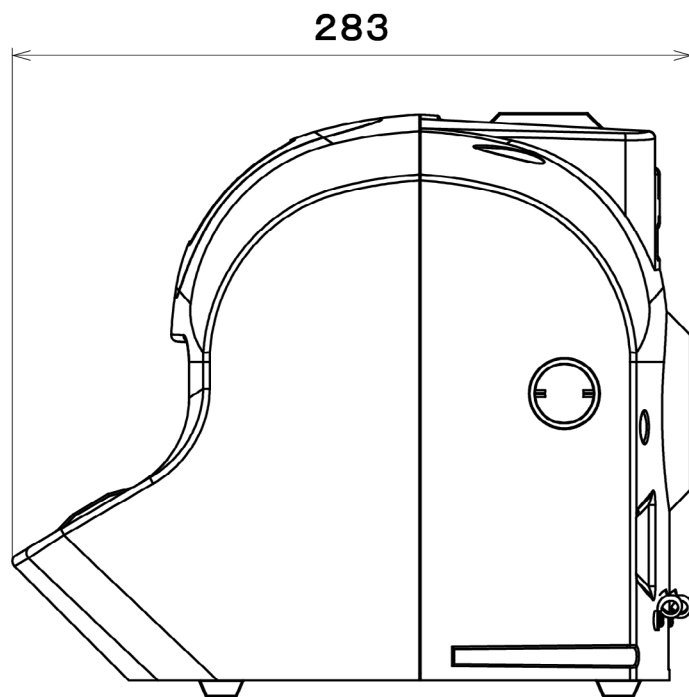
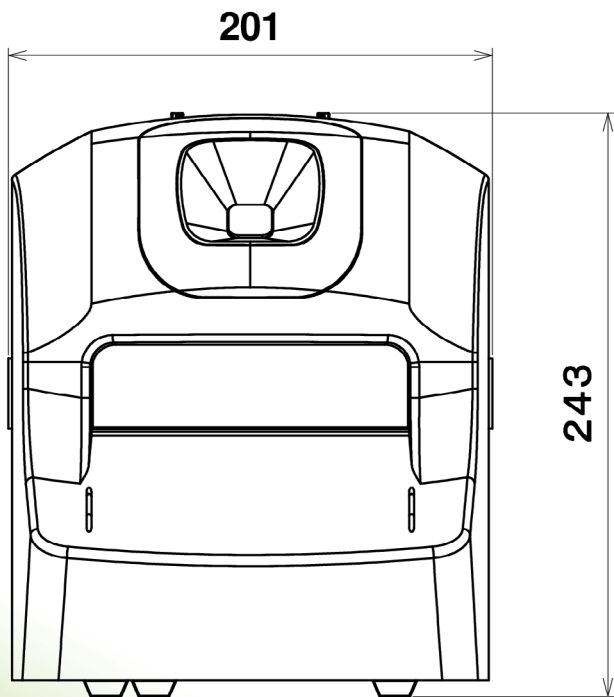
**ISI300-0231**



**COMING  
SOON**

ISO9001 & ISO14001 Certified

**NIDEC SANKYO CORPORATION**  
[www.nidec-sankyo.co.jp](http://www.nidec-sankyo.co.jp)



**NIDEC SANKYO  
AMERICA CORPORATION**  
275 Northridge Drive  
Shelbyville, IN 46176 USA  
Tel: (317) 421-2220  
crdsales@us.nidec-sankyo.com

**NIDEC SANKYO  
EUROPE GmbH**  
Mollsfeld 1, D-40670  
Meerbusch - Germany  
Tel: +49 (0) 2159-69 58-0  
crdsales@nidec-sankyo.de

ISO9001 & ISO14001 Certified



**NIDEC SANKYO CORPORATION**  
[www.nidec-sankyo.co.jp](http://www.nidec-sankyo.co.jp)