

OCR601-MK2 Series

Includes: MK2, MK2-N and MK2-SC

High-Performance Flatbed MRTD Reader with Contact/Contactless Capability

Description

The OCR601-MK2 is a machine readable zone (MRZ) data reader with RFID functionality to simultaneously decode the contents of an ePassport or contactless smart card.

The OCR601-MK2 automatically detects when a document with machine readable data has been inserted and its advanced recognition engine provides highly accurate and instant data capture and decoding.

By integrating the contactless RFID reader/writer, the device simultaneously and efficiently captures and processes data fields, including the holder's image, from the chip. This combined functionality provides a robust and cost-effective alternative to full-page, multi-illumination ID scanners.

The compact, robust design enables easy integration into self-service kiosks and gates, or use as a desktop device with rugged manufacturing ensuring years of indoor and outdoor, frontline, public use.

For users wanting to read contact cards, the OCR601-MK2-SC adds two contact smart card readers, two secure access modules (SAMs) and an integrated USB hub featuring two powered USB ports delivering even greater flexibility.

The OCR601-MK2-SC 4-in-1 ePassport, eID card, contactless and contact smart card reader



The OCR601-MK2 MRZ ePassport and eID card reader

Features

- Reads MRZ from ICAO 9303 compliant documents including Passports, e-Passports, ID cards and Visas as well as ISO 18013 compliant driving licences.
- Single action ePassport MRZ and chip reading
- High-speed recognition engine for instant detection/reading
- Low cost alternative to full-page, multi-illumination scanners
- Programmable audio 'beep' for user feedback.

Optional Features

- ISO 14443 contactless RFID reader/writer supports ICAO LDS standards including BAC, PA, AA, EAC and SAC.
- ISO 7816 contact reader/writer with two smartcards (ID-1) and two SAMs (ID-000) slots.
- Integrated USB hub featuring two powered ports for external peripherals.

Applications

- Border control and immigration
- Document issuance (passport, visa, etc.)
- Kiosks and self-service auto eGates
- Airport passenger data capture
- Hotels & hire car registration
- Identification verification.

	MRZ Reader	Contactless Reader	Smart Card Reader	SAM Reader
OCR601-MK2-N	✓			
OCR601-MK2	✓	✓		
OCR601-MK2-SC	✓	✓	✓x2	✓x2



OmniData Services Group LLC
11010 Neeshaw Dr., Bldg B
Houston, TX 77065, USA
+281-469-4365
sales@omnidatasys.net




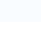

Access IS
18 Suttons Business Park
Reading, Berkshire
RG6 1AZ, United Kingdom
Tel: +44 (0) 118 966 3333

Access (North America) inc
Atlanta, Georgia, USA
Airport & Airlines: +1-770-645-2771
ID & Security: +1-703-403-6848
Transport & Ticketing: +44 118 966 3333

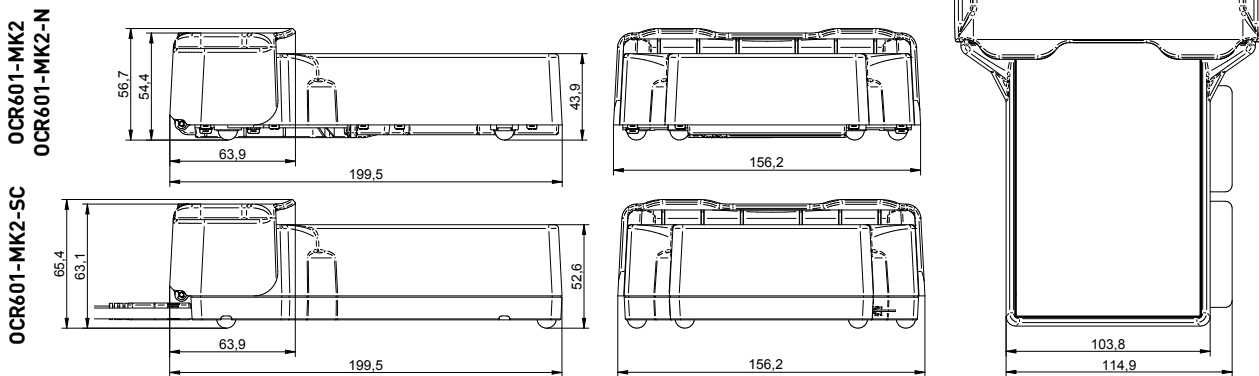


For further information email: sales@access-is.com or visit our website: www.access-is.com
All trademarks acknowledged. Specifications subject to change without prior notice.
All literature is for outline information only.

Example of device capabilities

PASSPORT INFORMATION		eMRTD SECURITY	
Last name	ELLIS		Basic Access Control
First name	TIM		Chip Authentication
Date of birth	01/01/1970		Active Authentication
Expiry date	08/12/2020		Passive Authentication
Nationality	CANADIAN		Terminal Authentication
Document No.	PMG920909	 Photo  Fingerprint	

Dimensions



Specifications

MRZ/MRTD reading

Supported Font: OCR-B

Supported Standards:

ICAO 9303 specification Parts 1-4
ISO 18013 Driving Licence

Supported Documents:

3 lines MRZ
- ID1: eID, Resident Permit...

2 lines MRZ
- ID3: Passport, Visa...
- ID2: ID Card...

1 line MRZ
- ID1: Driving Licence...

Imaging

Active viewing area: 132mm x 30mm

Illumination source: IR, 880nm LED

Resolution: 235 DPI

Image capture: JPG, BMP, TIFF, PNG

Contact smart card reading

Number of ID-1 (smart card) slots: 2

Number of ID-000 (SAM) slots: 2

Compliance: ISO 7816, T=0, T=1

Application interface: PC/SC compliant device

Contactless RFID reading

Interoperability: ICAO DOC 9303, LDS1.7, ISO18013 (Driving Licence), PA, AA, BAC, EAC v1.11 (CA, TA), EAC v2.0x (PACE v2, ICAO SAC, CA v2, TA v2)

Operating frequency: 13.56 MHz

Supported documents: ISO 14443 type A & B auto-detecting; secure and high-speed data transmission; Mifare memory card support (Mifare ultralight, 1K, 4K cards)

Application interface: PC/SC compliant device

Mechanical

External dimensions: (LxWxH)

200 x 156 x 57mm (MK2-SC: 66mm)

Weight: 860g (MK2-SC: 900g)

Maximum document width: 132mm

Power supply

+5 VDC via DC jack

Cable: Detachable host cable

Communications & host

Communication: USB 2.0 high speed

Host: Windows 7 and above, Win 32/64 bit; Pentium-4 3GHz and 2GB RAM min

Environmental

Temperature: Operating 0 to 50°C;

Storage: -20 to 60°C

Humidity: 0 to 95% non-condensing

Approvals: FCC Part 15C Class A
CE EMC directive

Ver: 2.1 July 2015



OmniData Services Group LLC
11010 Neeshaw Dr., Bldg B
Houston, TX 77065, USA
+281-469-4365
sales@omnidatasy.com

Access IS
18 Suttons Business Park
Reading, Berkshire
RG6 1AZ, United Kingdom
Tel: +44 (0) 118 966 3333

Access (North America) inc
Atlanta, Georgia, USA
Airport & Airlines: +1-770-645-2771
ID & Security: +1-703-403-6848
Transport & Ticketing: +44 118 966 3333

Access IS
Interfacing Solutions

For further information email: sales@access-is.com or visit our website: www.access-is.com
All trademarks acknowledged. Specifications subject to change without prior notice.
All literature is for outline information only.