

OCR315e/OCR316e USB OCR Reader with Optional MSR

Compact USB OCR reader for reading passports and ID cards with optional MSR functionality

Description

The OCR315e and OCR316e are compact and robust OCR readers. The devices can simply be attached to a variety of handheld and ultra mobile PCs, tablets, standard desktop keyboards and monitors, or act as standalone units as part of the data capture process (Know Your Customer, age verification, check-in). The interface connection is via USB. The track length and single slot design is optimised to ensure that passports and ID cards are correctly aligned for consistent and accurate reading.

The OCR decoder has an advanced recognition engine, that provides highly accurate and very fast document reading.

The OCR315e bidirectional reader can read machine-readable passports (MRP), visas (MRV), US and international resident permits as well as European and other national ID cards conforming to ICAO 9303 & ISO/IEC 7501-1 (2 and 3-line MRZ). It will also read the new ISO/IEC 18013-1 driving licences (1-line MRZ), so is future-proofed.

The OCR316e model also integrates a three-track MSR and is able to read credit and debit cards, loyalty cards and frequent flyer cards as well as MRZ documents.



Both readers can easily be attached to a range of devices. Above shown with option bracket for HP EliteDisplay 20"

OCR315e/316e compact OCR document reader.



Applications

- Airport check-in and gate applications and security checks
- AQQ, eBorders and APIS generation
- Duty Free
- Hotel and car hire registration
- Portable border control applications
- Police identification-checking
- Banking ID checks.

Features

OCR315e

- Compact design and small footprint
- USB 2.0 interface – USB HID, CDC (virtual serial) and keyboard wedge options
- Reads machine readable passports, visas and travel cards conforming to ICAO Document 9303
- Rapid and accurate decoding using Access' established OCR decoding technology
- Bidirectional OCR read
- Bi-colour LED and audible alarm providing good/bad read indication
- Can be used as free standing, desk mounted or attached to a range of monitors and devices
- Multiple cable lengths and exit positions
- Firmware download/upgrade capability.

OCR316e

- As the OCR315e, with an additional bidirectional, 3-track MSR conforming to ISO 7811/2-5 tracks 1, 2 and 3.



OmniData Services Group LLC
11010 Neeshaw Dr., Bldg B
Houston, TX 77065, USA
+281-469-4365
sales@omnidatasys.net

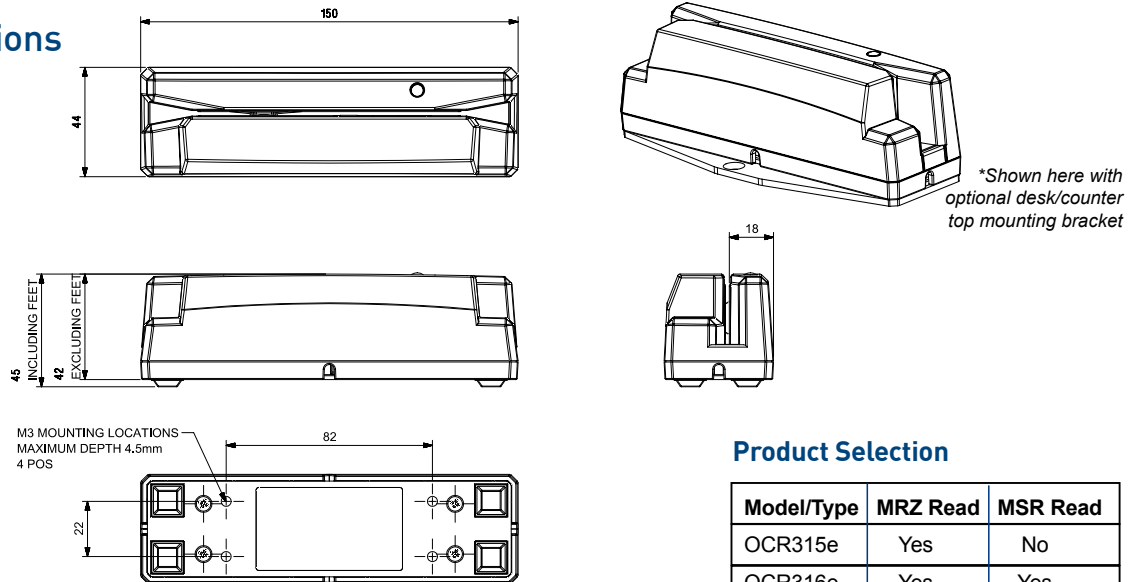
Access IS
18 Suttons Business Park
Reading, Berkshire
RG6 1AZ, United Kingdom
Tel: +44 (0) 118 966 3333

Access (North America) inc
Atlanta, Georgia, USA
Airport & Airlines: +1-770-645-2771
ID & Security: +1-703-403-6848
Transport & Ticketing: +44 118 966 3333

Access IS
Interfacing Solutions

For further information email: sales@access-is.com or visit our website: www.access-is.com
All trademarks acknowledged. Specifications subject to change without prior notice.
All literature is for outline information only.

Dimensions



Product Selection

Model/Type	MRZ Read	MSR Read
OCR315e	Yes	No
OCR316e	Yes	Yes



Representation of OCR315e and OCR316e integrated with a variety of devices and tablets

Specifications

OCR read capabilities

Standard OCR fonts: OCR-B

Machine readable passports (MRP):
2 lines of 44 characters

Machine readable visas (MRV):
2 lines of 44 characters, 2 lines of 36 characters

ID documents: 1 line of 30 characters,
2 lines of 36 characters, 3 lines of 30 characters

Magnetic swipe reader (OCR316e)

Three-track magnetic cards complying with ISO7811/ 2-5

Electrical specifications

Input voltage: +5 VDC, <250mA via USB connection

General

Overall dimension:
150L x 44W x 45H mm

Weight: 200g

Beeper: Single beep for good read,
3 beeps for bad read

Indicators: Power and good and bad read LED indication

Cable Length: Short and 1.5m options

Colour: Dark grey

Connection and interfaces

USB2.0 full-speed interface

USB HID, CDC (virtual serial) and keyboard wedge options

OS support: Windows, Android, Linux

Environmental

Operating temperature: 0°C to 50°C

Storage temperature: -20°C to 60°C

Approvals

Safety: EN 60950-1: 2006

EMC: FCC 47CFR Part 15 Class A;

EN 55022: 2006 + Amd1: 2007;

EN 55024: 1998 + Amd1: 2001 + Amd2: 2003

Available Monitor Brackets

AOC 719Va 19"

HP Compaq LA1951g 19"

HP EliteDisplay 20"

Please enquire about other mounting options. MOQ applies to custom designs

Ver: 2.5 October 2015



OmniData Services Group LLC
11010 Neeshaw Dr., Bldg B
Houston, TX 77065, USA
+281-469-4365
sales@omnidatasys.net

Access IS
18 Suttons Business Park
Reading, Berkshire
RG6 1AZ, United Kingdom
Tel: +44 (0) 118 966 3333

Access (North America) inc
Atlanta, Georgia, USA
Airport & Airlines: +1-770-645-2771
ID & Security: +1-703-403-6848
Transport & Ticketing: +44 118 966 3333

Access IS
Interfacing Solutions

For further information email: sales@access-is.com or visit our website: www.access-is.com
All trademarks acknowledged. Specifications subject to change without prior notice.
All literature is for outline information only.