

ATR110 NFC and 2D Barcode Reader

Rugged, high-performance, barcode and NFC contactless reader for passes and tickets presented on smartphones, tablets and paper

Description

The ATR110 is a compact and fast barcode reader with NFC contactless capabilities. This 'one-box' solution helps process a wide range of electronic ticketing across a variety of media.

The device is designed to read all popular linear, PDF417 and 2D barcode symbologies, including QR and Aztec codes, from smartphones, tablets and printed paper documents. The ATR110's advanced recognition barcode imager is omnidirectional and has near-zero latency. It captures barcodes within a fraction of a second of presentation in any orientation.

As an option, the device will also support mobile ticketing and mobile wallet payment systems for NFC-enabled smartphones and tablets, as well as reading smartcards, credit cards and debit cards.

This responsive, intuitive-to-use device is designed to be operated by untrained members of the public. Additional user-friendly features include bright LED visual indicators and a programmable audio buzzer to confirm successful data capture.

Its rugged, vibration and shock resistant construction, with no moving parts, enables the reader to withstand years of frontline, public use.



Pole-mounted version of the ATR110



ATR110 desktop omnidirectional barcode and NFC reader. The device can process contactless passes and tickets as well as 2D barcodes presented on smartphones and tablets

Features

- Fast, intuitive imager with fixed focal distance
- Reads barcodes on face-down presentation
- Reads 2D, PDF417 and linear barcode symbologies
- Contactless NFC mobile ticketing and payment works with all popular contactless cards – including Mifare® (Classic®, Ultralight®), Octopus®, DESfire® and Calypso®
- RS232 and USB (custom HID, keyboard or CDC serial) interface options
- FLASH upgradeable software
- Configurable LEDs with choice of location (front, rear and both) and audible read confirmation
- Mounting options: desktop; console; pole-mount; and fixed-position kiosk installation
- Protective top rubber bumper for smartphone protection when used for NFC reading

Applications

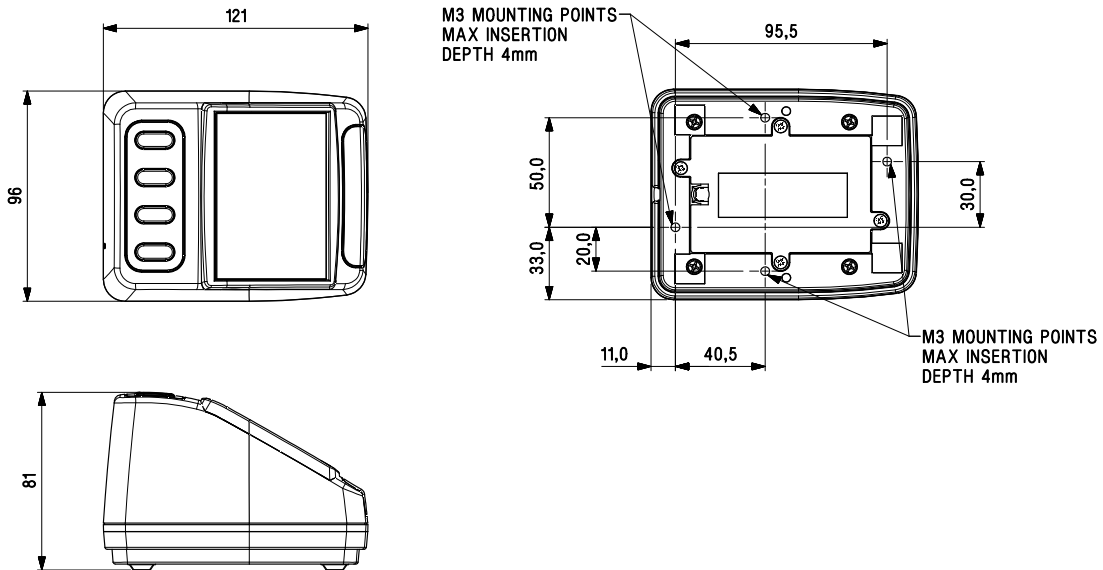
- Bus ticketing
- Automatic gate and turnstile entry
- Boarding passes
- Loyalty programmes & real-time marketing promotions

Access IS
18 Suttons Business Park
Reading, Berkshire
RG6 1AZ, United Kingdom
Tel: +44 (0) 118 966 3333
Fax: +44 (0) 118 926 7281

Access (North America) inc
Atlanta, Georgia
USA
Airport & Airlines: +1-770-645-2771
ID & Security: +1-703-403-6848
Transport & Ticketing: +44 118 966 3333

Access IS
Interfacing Solutions

Dimensions



Specifications

Barcode symbologies read

Linear: EAN, UPC, Code 2 of 5, Interleaved 2 of 5, IATA 2 of 5, Code 39, Code 128

2D: IATA resolution 792, PDF417, Aztec, DataMatrix and QR codes

Media types: Will read: smartphone, tablet and smartwatch displays and paper documents and tickets.

Interface options: Non-NFC version can be single cable USB or Serial

Contactless reader

Supported media: ISO14443 type A and B cards (Java cards); max baud 424K (extendable to 848K)

Mifare UL, Classic 1K, Classic 4K, UL-C, Mifare Plus; max baud 106K

Operating frequency: 13.56 MHz

Operating distance: 20 mm

EMV: Level 1 capable (Approval TBA)

PSAMs: 4 PSAMs; to be accessed via removable panel on underside of unit

Interface: NFC version is USB only. Requires USB power stealer or independent power supply.

Mechanical/Electrical

Dimensions 81H x 96W x 121D mm

Weight: 443g (without NFC); 573g (with NFC) incl. cables

Power: 5.0 VDC

Current: Barcode Only:

350mA Peak, 250mA Standby

Current: Barcode & NFC:

USB - 350mA Peak, 250mA Standby

Aux - 350mA Peak, 300mA Standby

Colour: Dark grey

MTBF: 85,000 hours

Features

Mounting options: horizontal, vertical and pole

Glass: 3mm thermally toughened low-iron Conturan IK07 (3 times 2J impact) Anti-Reflective coating

Buzzer: loud (75dBa at 1m); volume controllable (config setting – can be adjusted by customer)

Indicator LEDs: 4 colours (green/amber/red/blue)

LED position: Choice of front, rear and both

Environmental

Temperature: Operating -25°C to +50°C

Storage: -30°C to +70°C

Humidity: 95% RH, non-condensing

IP Code: IP54

Vibration: Random vibration using table 2 from ETSI EN 300 019-2-5 V3 2002

Shock: 3 off 30g 6ms half sine shocks in each direction of each axis carried out in accordance with ETSI EN 300 019-2-5 V3 2002, BS EN 60068-2-64:2008

Bump: 100 off 10g 11ms half sine bumps in each direction of each axis carried out in accordance with ETSI EN 300 019-2-5 V3 2002, BS EN 60068-2-64:2008

Approvals: FCC 47CFR Part 15 Subpart B Class A, EN 55022 Class B, EN 55024, FCC 47CFR Part 15 Subpart C, ETSI EN 302 291, EN 60950-1

Ver: 1.5 January 2016

Access IS
18 Suttons Business Park
Reading, Berkshire
RG6 1AZ, United Kingdom
Tel: +44 (0) 118 966 3333
Fax: +44 (0) 118 926 7281

Access (North America) inc
Atlanta, Georgia
USA
Airport & Airlines: +1-770-645-2771
ID & Security: +1-703-403-6848
Transport & Ticketing: +44 118 966 3333

Access IS
Interfacing Solutions