

ADR100 Photo ID Reader

Fast, accurate, reliable reader scans photo ID cards, driving licenses, residence permits, health cards and tickets



Description

The **ADR100 Photo ID Reader** captures a full-colour image of the ID card together with ultraviolet* (UV) and, where the option is installed, infrared (IR) images. This device has been designed for indoor and outdoor use, under all lighting conditions and weather – overcast, bright sun, rain.

When a photo ID card is presented to the reader the photograph on the card is automatically detected, cropped and rotated, allowing both the holder's portrait and card images to be displayed right-way-up. When reading an ICAO-compliant driving licence or identity card the Photo ID Reader will also decode its machine readable zone (MRZ).

ID-1 (credit card) sized documents supported include:

- All US federal and state issued ID cards, such as driver's licenses, photo IDs, voter IDs, social security cards, medical ID cards, immigration IDs and resident permits
- All North American, European and other national driving licences
- All European and other national ID and e-ID cards
- EHIC (European Health Insurance Card)
- Travel tickets



*The ADR100
Photo ID Reader
with sample card in slot*

Features

- Full-page capture of credit card sized documents in colour and UV*, with an option to also capture IR greyscale
- Reads ID cards, driving licences and resident permits conforming to ICAO 9303 (IR option required)
- Option to also read 1D and 2D barcodes
- Designed to be used indoors or outdoors
- Audio beep to confirm successful data capture

- Replaceable 4mm toughened and scratch-resistant glass face
- Robust, compact and no-maintenance design.

Applications

- Integration into self-service kiosks
- Customer identity verification, including age verification and anti-money laundering identity checks
- Virtual teller machines, virtual ticket offices
- Hotel and car-hire registration and identification.

Access IS
18 Suttons Business Park
Reading, Berkshire
RG6 1AZ, United Kingdom
Tel: +44 (0) 118 966 3333
Fax: +44 (0) 118 926 7281

Access (North America) inc
Atlanta, Georgia
USA
Airport & Airlines: +1-770-645-2771
ID & Security: +1-703-403-6848
Transport & Ticketing: +44 118 966 3333

Access IS
Interfacing Solutions

For further information email: sales@access-is.com or visit our website: www.access-is.com

All trademarks acknowledged. Specifications subject to change without prior notice. This literature is for outline information only.

Multi-illumination software features

The ADR100 reader's single-action simultaneous data decoding ability: decodes MRZ data; scans the document using three light sources; and validates data for accuracy. The device captures ID1 documents in ultraviolet, infrared and full colour.

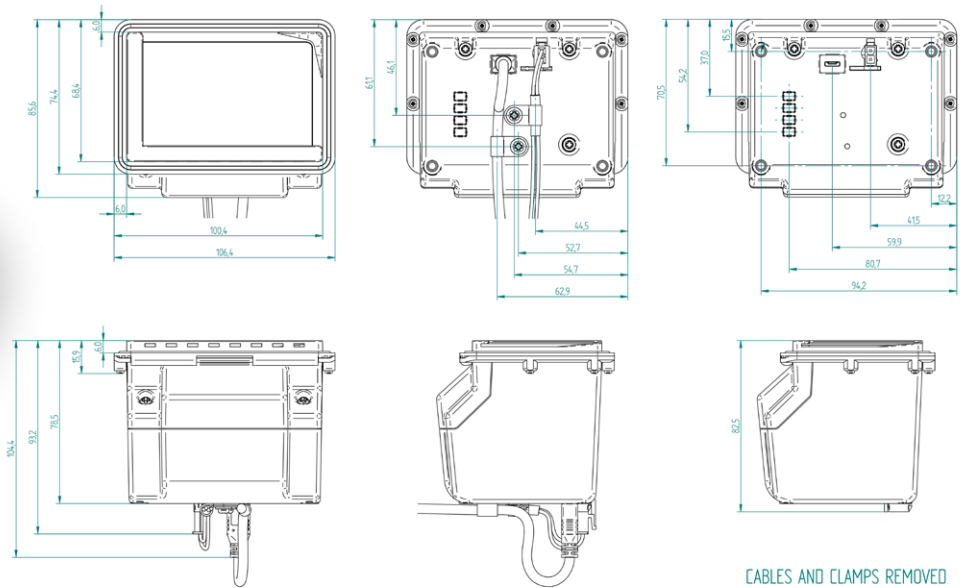
The image and data shown are examples of information captured by Access IS API using third party authentication software

CUSTOMER INFORMATION		 Colour Image	DOCUMENT AUTHENTICATION
Document Type	DRIVING LICENCE		 UV Image
Last name	BERGER	 AGE VERIFICATION Over 18	
First name	MICHAELA MARIA		
Date of birth	26 JULY 1978		
Expiry date	16 APRIL 2018		
Nationality	AUSTRIAN		
Document No.	081944939		

Dimensions



ADR100 rear view, showing lighting indicators and cable connections



ADR100 Photo ID Reader specifications

MRZ reading

Light source: white, UV and optional IR LED's

Standard OCR fonts: OCR-B

Travel and identity documents: 2 lines of 36 characters, 3 lines of 30 characters

Image capture

Full-page: JPG, BMP, TIFF, PNG

Resolution: 600 DPI

Options:

Light source: InfraRed (IR)

Barcode reading capability:

Linear: EAN / UPC, Code 2 of 5,

Interleaved 2 of 5, IATA 2 of 5, Code 39, Code 128

2D: IATA resolution 792, PDF417, Aztec, DataMatrix and QR codes

Mechanical

External dimensions:

106W x 86H x 79D mm

Body: Black ABS

Glass: 4mm Toughened Platen BS EN60068-2-75 & IEC 62262:2002, rated to 6.375J impact, with AR coating. Scratch-resistant coating options are available.

Power supply

+24v VDC PSU via Molex connector

Communications and host

Communication: USB 2.0 high speed

Connection: Micro B USB connector

Host: OS Windows XP/7, / Win 32/64 bit; Pentium-4 3GHz and 2GB RAM minimum

Environmental

Temperature: Operating 0 °C to 50 °C
Storage: 0 °C to 60 °C

Humidity: 0 to 95% non-condensing

***WARNING - The quality of the UV image can be adversely affected in high brightness conditions due to UV light emitted from the sun being transmitted through the scanned document.**

Ver: 1.6 June 2015

Access IS
18 Suttons Business Park
Reading, Berkshire
RG6 1AZ, United Kingdom
Tel: +44 (0) 118 966 3333
Fax: +44 (0) 118 926 7281

Access (North America) inc
Atlanta, Georgia
USA
Airport & Airlines: +1-770-645-2771
ID & Security: +1-703-403-6848
Transport & Ticketing: +44 118 966 3333

Access IS
Interfacing Solutions